

## Produktdatablad

Stvernfk 662, 906 13 Brezova pod Bradlom  
Kopcianska 15, 851 01 Bratislava  
56, e-post: office@maccaferri.sk, www.maccaferri.sk



Salgskontor:  
Tlf.: 02/ 202 400

Let's connect

# MACCAFERRI

## TECHNICAL DATA SHEET

Rev. 19, Date 15.12.2014

### ROCKFALL PROTECTION NETTING

The mesh consists of double twisted Galmac (Zn-Al 5% alloy) coated steel woven wire. The mesh is produced in accordance with 305/2011 regulation (ex. 89/106/CEE) and in compliance with standard EN10223-3:2013, having EC marking in compliance with ETA-13/0524.

The management and production system is certified in compliance with standards ISO 9001 and ISO 14001 (related to the environmental management system).

Steel woven wire mesh is used as a drapery system to prevent rocks and debris from falling onto roads and railways. Dimensions of the Galmac coated net are stated in Table 1.

The nominal tensile strength of the mesh shall be as per Table 2; tests carried out in compliance with EN 10223-3:2013.

The average punching load capacity of the netting is in compliance with the tests carried out in accordance with UNI 11437.

#### wire

The steel wire used in the production of the mesh is coated with Galmac class A (Zn-Al 5% alloy).

All tests on wire must be performed prior to manufacturing the mesh.

6. **Tensile strength:** the wire used for the manufacture of Galmac coated mesh shall have a tensile strength between 350-550 N/mm<sup>2</sup> as per EN10223-3:2013. Wire tolerances (Table 3) are in accordance with EN10218 (Class T1).
7. **Elongation:** Elongation shall not be less than 8%, as per EN10223-3:2013.
8. **Galmac coating:** minimum quantities of Galmac (Table 3) meet the requirements of EN10244-2 (Table 2 - Class A).
9. **Adhesion of Galmac:** the adhesion of the Galmac coating to the wire must be in accordance with EN 10244.
10. **Outwearing accelerated aging test** in a general condensation of moisture containing sulfur dioxide (28 cycles) in accordance with EN ISO 6988 the mesh shall not show more than 5% of red rust.  
When subjected to the neutral salt spray test (ISO 9227) after 1000 hours of exposure the mesh shall not show more than 5% of DBR (Dark Brown Rust)

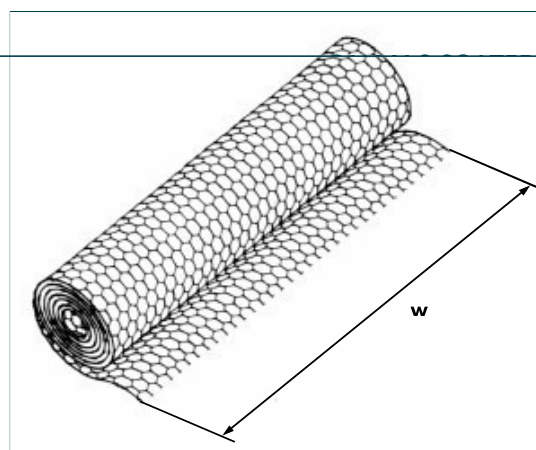


Figure 1

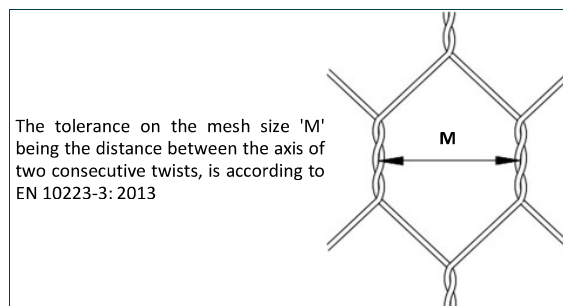


Figure 2



Example of Rockfall protection netting

# MACCAFERRI

Maccaferri reserves the right to amend product specifications without notice and specifiers are requested to check as to the validity of the specifications they are using.

**Table 1 - Sizes for rockfall protection netting**

| L=Length (m) | w=width (m) |
|--------------|-------------|
| 25           | 2, 3, 4     |
| 50           | 2, 3, 4     |
| 100          | 2, 3, 4     |

All sizes and dimensions are nominal.

Tolerances of 0/+1 m of the length, and ± M of the height shall be permitted

### Lacing Operations

Lacing operations can be made by using the tools shown in Fig.5. Galmac coated steel rings having the following specification can be used instead of lacing wire (Figs.3, 4):

- diameter: 3.00 mm
  - tensile strength: >1720 MPa
  - Pull-apart strength > 2.0 kN
- Spacing of the rings must not exceed 200 mm (Fig.3)

### Quantity Request

When requesting a quote, please specify:

- size of rolls (length x height, see Fig.1),
- type of mesh,
- type of coating

EXAMPLE: No.100 rolls Length=25m, Width=4m - Mesh type 8x10 - Wire diam. 2.70 mm - Galmac coated

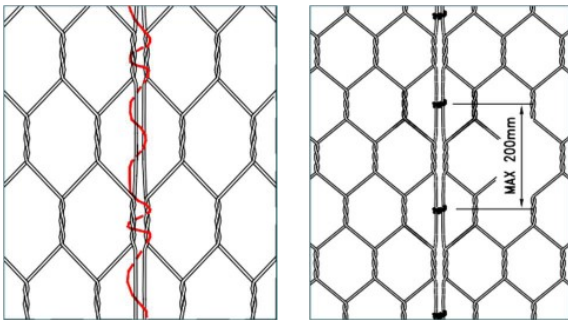


Figure 3: Lacing wire and Rings

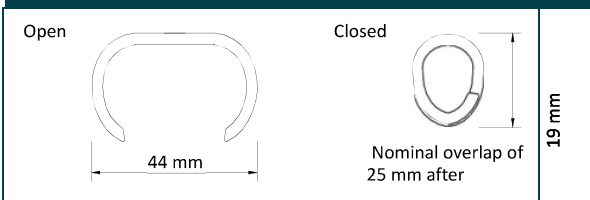


Fig.3

**2. Standard mesh - wire combination**

| Type | M (mm) | Tolerance (mm) | wire diameter (mm) | Nominal Mesh Tensile Strength (kN/m) | Average punching load kN |
|------|--------|----------------|--------------------|--------------------------------------|--------------------------|
| 6x8  | 60     | -0/+8          | 2.7                | 55                                   | 82                       |
| 8x10 | 80     | -0/+10         | 2.7<br>3.0         | 50<br>60                             | 67<br>82                 |

**3. Standard wire diameter**

|                          |                   | Mesh wire                | Selvedge wire            | Lacing wire |
|--------------------------|-------------------|--------------------------|--------------------------|-------------|
| Internal diameter        | ø mm              | 2.70                     | 3.40                     | 2.2         |
| Wire tolerance           | (±) ø mm          | 0.06                     | 0.07                     | 0.06        |
| Min. quantity of coating | gr/m <sup>2</sup> | 245 (2.70)<br>255 (3.00) | 265 (3.40)<br>275 (3.90) | 230         |

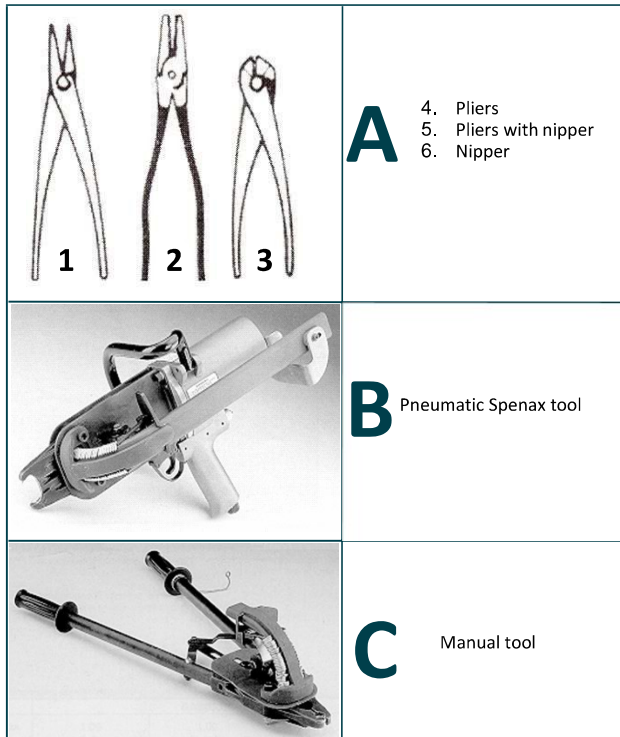


Fig.5

### MACCAFERRI CENTRAL EUROPE s.r.o.

Stvernfk 662, 906 13 Brezova pod Bradlom  
 Commercial-technical office: Kopcianska 15, 851 01 Bratislava  
 Tel.: 02/ 202 400 56, e-mail: office@maccaferri.sk, www.maccaferri.sk